

PAMS Technical Documentation

NSW-6 Series Transceivers

General Information

AMENDMENT RECORD SHEET

Amendment Number	Date	Inserted By	Comments
	12/99	OJuntune	Issue1

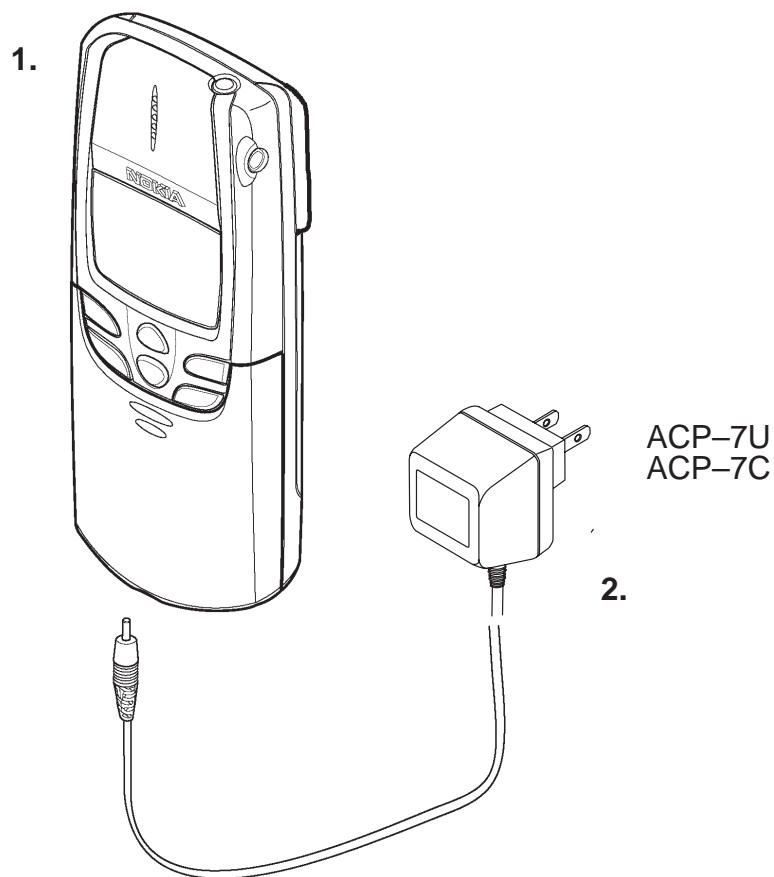
CONTENTS

	Page No
Product Selection	4
Desktop Option	5
Modules and Accessories	6
Modules	6
Accessories	6
Mobile Accessories	6
Technical Specifications	7

Product Selection

The Nokia NSW-6NX is a dual band/triple mode radio transceiver unit for the US TDMA 800/1900MHz networks. The transceiver is fully based on 3V technology.

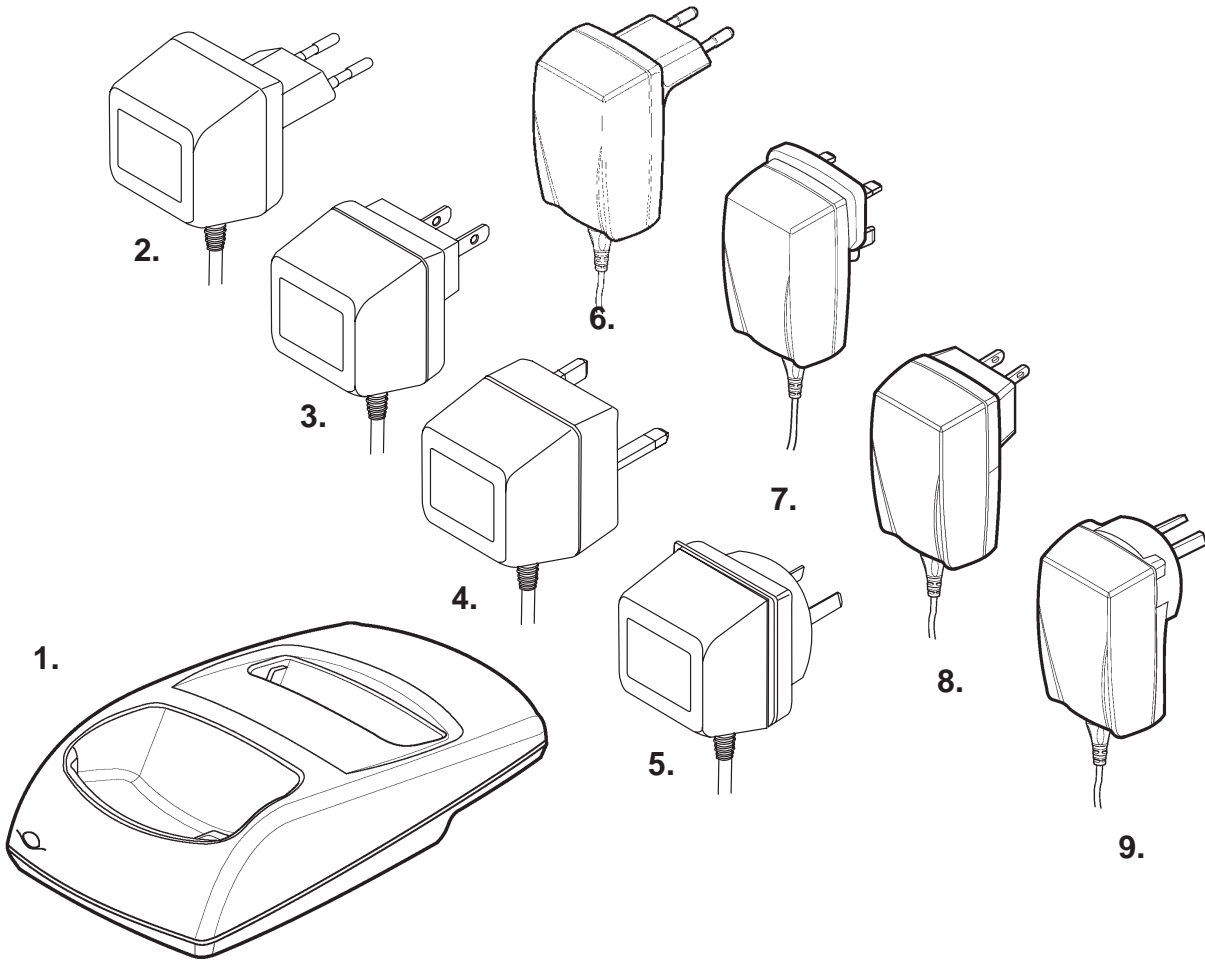
The basic handportable package offers the user a standard battery pack and travel charger for charging from an electrical outlet. Accessories and other options are listed in this chapter also.



Item Name:	Type code:	Material code:
1. Transceiver	See variant Appendices	
2. Standard battery (NiMH 600 mAh)	BMP-1A	0670302
3. AC Travel Charger (US plug) 108-132 Vac	ACP-7U	0675143
AC Travel Charger (US plug) 198-242 Vac	ACP-7C	0675158

Desktop Option

The desktop option allows the user to charge the handportable and spare battery from an electrical outlet.



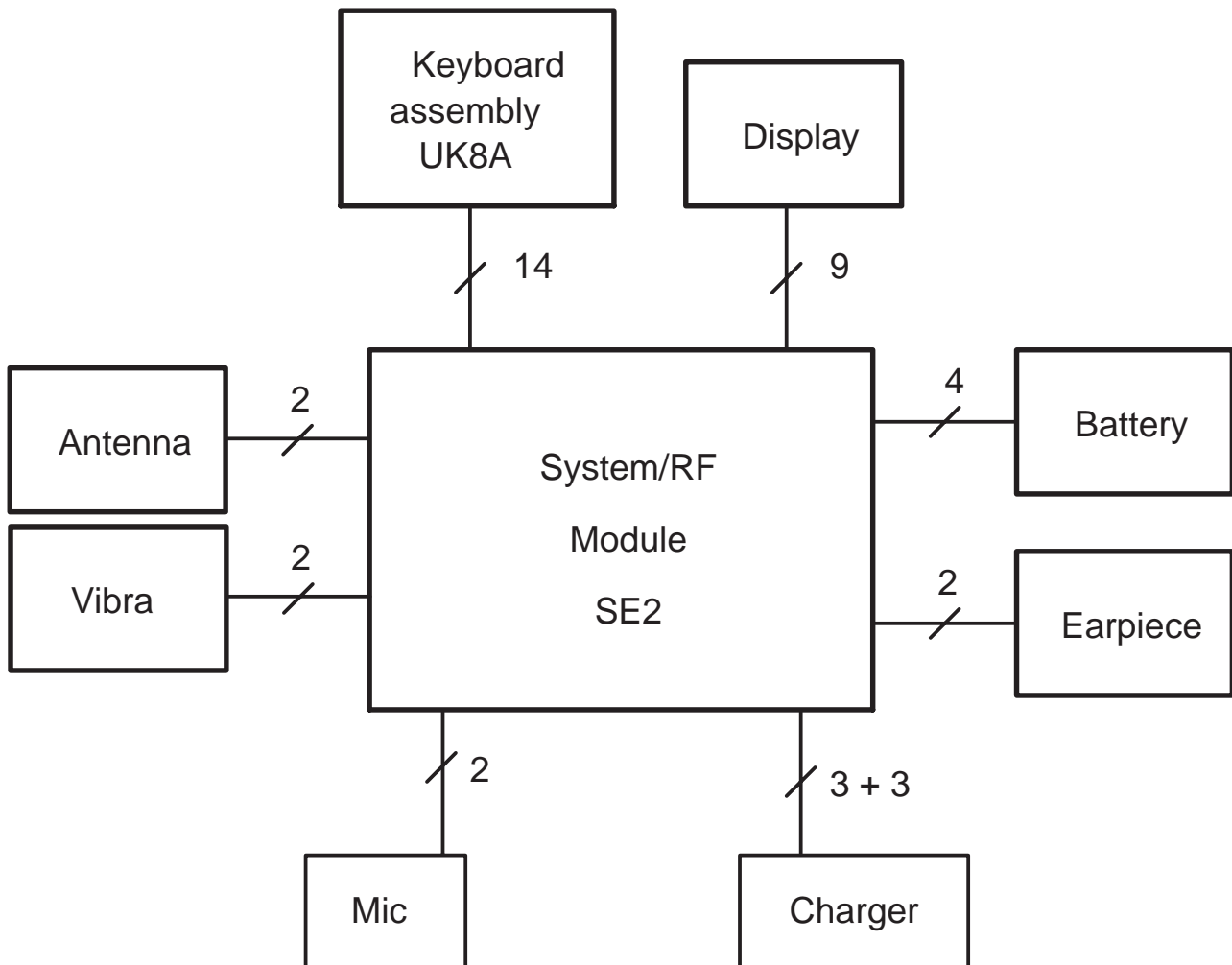
Item Name:	Type code:	Material code:
1. Desktop stand	CGE-1	0675180
2. AC Travel Charger (Euro plug) 207-253 Vac	ACP-7E	0675144
3. AC Travel Charger (US plug) 108-132 Vac	ACP-7U	0675143
AC Travel Charger (US plug) 198-242 Vac	ACP-7C	0675158
4. AC Travel Charger (UK plug) 207-253 Vac	ACP-7X	0675145
AC Travel Charger (UK plug) 180-220 Vac	ACP-7H	0675146
5. AC Travel Charger (Australia) 216-264 Vac	ACP-7A	0675148
6. Performance Travel Charger Euro plug 90-264 Vac	ACP-8E	0675195
Performance Travel Charger Korea plug 90-264 Vac	ACP-8K	0675199
7. Performance Travel Charger UK plug 90-264 Vac	ACP-8X	0675197
8. Performance Travel Charger US plug 90-264 Vac	ACP-8U	0675196
Performance Travel Charger China plug 90-264 Vac	ACP-8C	0675211
9. Performance Travel Charger Australia plug 90-264 Vac	ACP-8A	0675214

Modules and Accessories

Modules

Name of module	Type des.	Material code	Notes
Basic Custom transceiver	NSW-6NX	0502252	
- System/RF module	SE2	0201320	"engine"
- Mechanics assembly parts	MNSW5	0262043	
- Software module (Basic SW)		0240865	On FLASH memory

Interconnection Diagram



Accessories

Unit/type:	Product code:
Standard Battery BMP-1A 600 mAh NiMH, Chrome	0670302
Standard Battery BMP-1D 600 mAh NiMH, black	0670240
Standard Battery BLP-1D 550 mAh Li-Ion, black	0670304
AC Travel Charger ACP-7A (AUS) 216-264 Vac	0675148
AC Travel Charger ACP-7C (US) 198-242 Vac	0675158
AC Travel Charger ACP-7E (EUR) 207-253 Vac	0675144
AC Travel Charger ACP-7H (UK) 180-220 Vac	0675146
AC Travel Charger ACP-7U (US) 108-132 Vac	0675143
AC Travel Charger ACP-7X (UK) 207-253 Vac	0675145
Performance Travel Charger ACP-8A (AUS) 90-264 Vac	0675214
Performance Travel Charger ACP-8C (US) 90-264 Vac	0675211
Performance Travel Charger ACP-8E (EUR) 90-264 Vac	0675195
Performance Travel Charger ACP-8K (KOR) 90-264 Vac	0675199
Performance Travel Charger ACP-8U (US) 90-264 Vac	0675196
Performance Travel Charger ACP-8X (UK) 90-264 Vac	0675197
Cigarette Lighter Charger LCH-9	0675120
Desktop Stand CGE-1	0675180
Headset HDC-5	0604059
Loopset LPS-3 (repairable)	0630244

All accessories are deemed non-serviceable unless otherwise stated

Mobile Accessories

Mobile Holder MBT-5	0620030
Handsfree Unit PPH-3	0675208
Car Holder/Belt Clip HHC-2	0720188
Headset HDC-5	0694059

Technical Specifications

Parameter	Unit
Cellular system	TDMA/NADC 800/1900
RX frequency band	869.04 ... 893.97 MHz 1930.05 ... 1989.99 MHz
TX frequency band	824.04 ... 848.97 MHz 1850.01 ... 1909.95 MHz
Output power	400 to 500 mW
Duplex spacing	45 MHz / 80.04 MHz Cellular/PCS
Number of RF channels	831 / 1997 Cellular/PCS
Channel spacing	30 kHz
Number of TX power levels	2 to 7 in analog, 2 to 10 in digital modes
Frequency control	VCTCXO; AFC used in analog and digital modes
Receiver type	Double conversion, common IF frequencies in all modes.
Modulator type	I/Q modulation in digital modes, FM modulation in analog modes.

Parameter	Mode	Value and unit
Talk time	Analog	30min – 1h 10min
Talk time	Digital	1h 15min – 2h 10min
Standby time	Analog	15h – 25h
Standby time	Digital	60h – 150h
Dimensions		107x45x19 mm
Weight with BMP-1D battery		118 g